

# EURO-Line Bottom Valves

## FEATURES AND BENEFITS

CIVACON's EURO100-Line Bottom Valves are designed for increased safety, durability and service performance. The EURO100-Line high flow bottom valves are available as Compact 100-1 series, Super Compact 100-2 series and 4" TTMA or TW 100-3 series.



*EURO100-Line, Bottom Valve Super Compact*



*EURO100-Line, Bottom Valve 4" TTMA or TW*



*EURO 100-Line, Bottom Valve Compact*

## CERTIFICATES



*EURO100, EN13308*

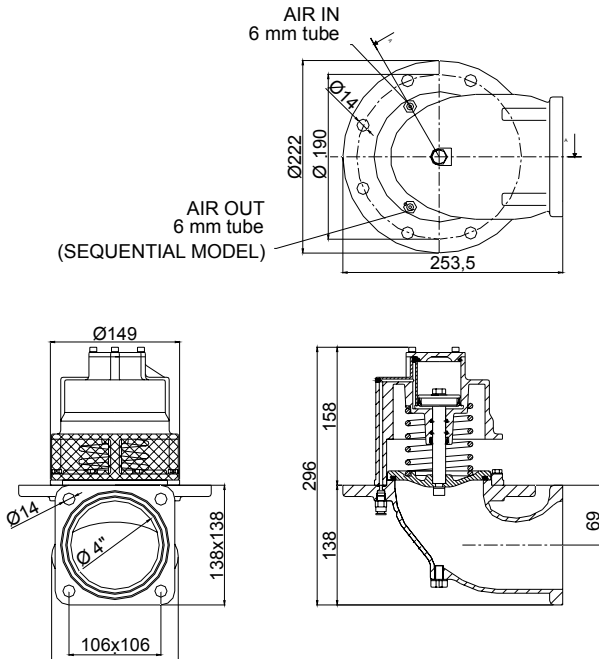


*EURO100, EN13316*

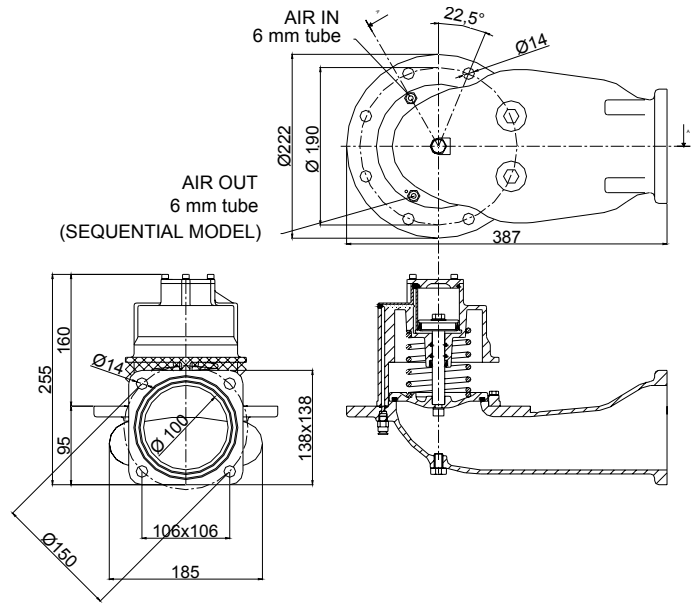
- **All EURO100-Line Bottom Valves** in accordance with EN13308 (Non Pressure Balanced) , EN13316 (Pressure Balanced), ADR and API RP 1004
- **Available models:**  
Compact, Super Compact and 4" TTMA or TW outlet
- **Pressure balanced** or non pressure balanced operation
- **Sequenced** or non-sequenced operation
- **4" or DN100** connection
- **Light weight pressure** die-cast for improved strength and reduced weight
- **Hard anodized and** stainless steel internals
- **Stainless steel** filter/strainer
- **Shear Groove** to prevent spillage in case of an accident
- **Superior flow rate:**  
- up to 2.500 litres/minute  
- no moving parts in the flow path
- **Viton GLFT seals**
- **Valve service** inside of the compartment
- **Manually openable** in case of emergency

## SPECIFICATIONS

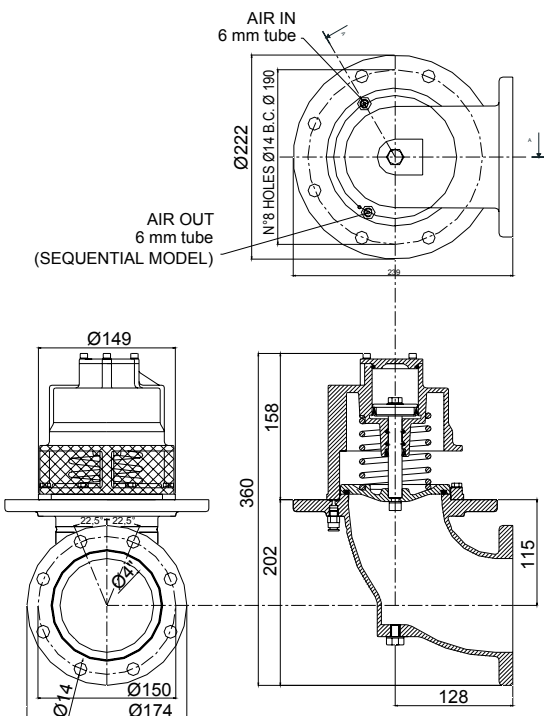
### EURO100-1 SERIES



### EURO100-2 SERIES



### EURO100-3 SERIES



#### General Spec's EURO100-Line Bottom Valves

■ Nominal size	4" or DN 100
■ Working pressure	5 bar (500 kPa)
■ Operating air pressure	4 bar
■ Maximum flow rating	2.500 litre/minute
■ Seals	Viton GFLT
■ Working temperature	-20 °C to 70 °C
	other temperatures on request
■ Weight	EURO100-1 4,6 kg
	EURO100-2 5,5 kg
	EURO100-3 4,7 kg

All dimensions are in mm

**SPARE PARTS**

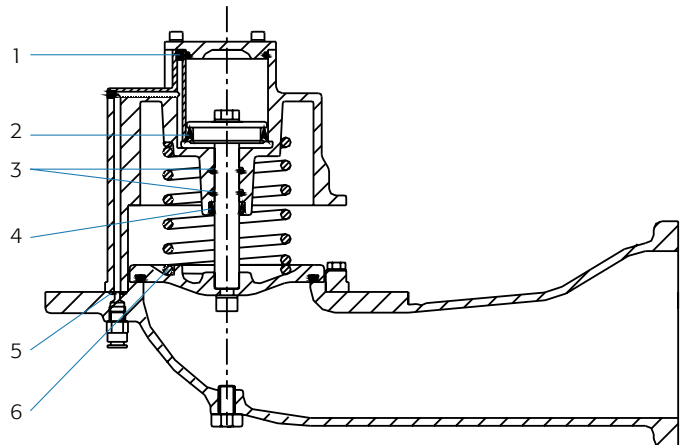
**Repair kit**

EURO100RK

Seal kit for EURO100-series  
 Bottom Valve

**Contents EURO100RK Repair kit**

Item	Part number	Description
1	89-60-75/V	O-ring (Viton)
2	26-60-27	Gasket (Viton)
3	26-60-26	O-ring (Viton)
4	82-30-53	Gasket (Viton)
5	89-60-76/V	O-ring (Viton)
6	92-60-70	O-ring (Viton)



**RELATED PRODUCTS**

Art. number	Description
SF-100-ST40	Steel sump flange
10-02-43	Aluminium sump flange
10-01-74/EU	Aluminium square outlet flange
10-01-84	Gasket for square outlet flange

**ORDERING SPECIFICATIONS**

**Compact Model: EURO100-1 series**

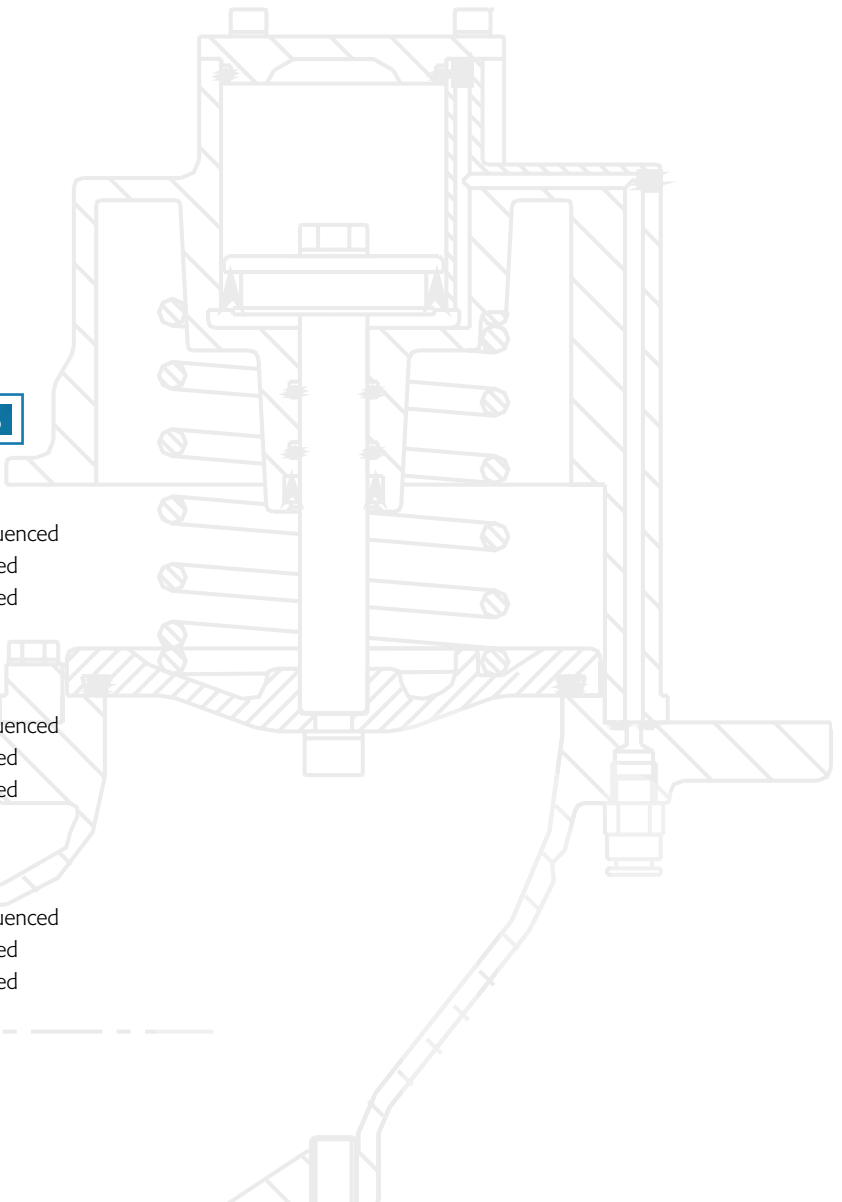
EURO100-1-AL40	4" non-pressure balanced, non sequenced
EURO100-1S-AL40	4" non-pressure balanced, sequenced
EURO100-1B-AL40	4" pressure balanced, non sequenced
EURO100-1BS-AL40	4" pressure balanced, sequenced

**Super Compact Model: EURO100-2 series**

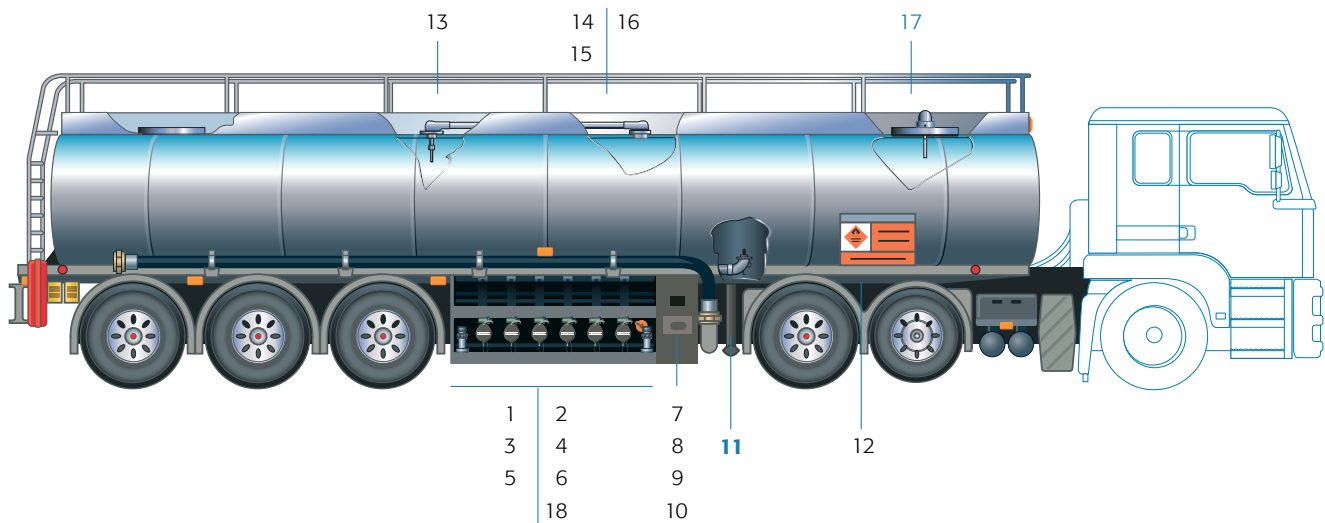
EURO100-2-AL40	4" non-pressure balanced, non sequenced
EURO100-2S-AL40	4" non-pressure balanced, sequenced
EURO100-2B-AL40	4" pressure balanced, non sequenced
EURO100-2BS-AL40	4" pressure balanced, sequenced

**4" TTMA Outlet Model: EURO100-3 series**

EURO100-3-AL40	4" non-pressure balanced, non sequenced
EURO100-3S-AL40	4" non-pressure balanced, sequenced
EURO100-3B-AL40	4" pressure balanced, non sequenced
EURO100-3BS-AL40	4" pressure balanced, sequenced



## Providing expert cargo-tank solutions



No.	Description	Article
1	API Tank Truck Adaptor	891-series
2	Dust Cap	875-AL40
3	Air Interlock for API	200
4	Gravity Coupler	876-series
5	Vapour Recovery Adaptor	633LVB
6	Air Interlock for VR-Adaptor	201
7	Socket	4100-series 4401-series
8	Onboard Monitoring System	ROMII Plus
9	Sealed Parcel Delivery System	SCS-300
10	Pneumatic Controls	PCU-series PCP-series
<b>11</b>	<b>Bottom Valve</b>	<b>EURO100-series</b>
12	Retain Sensor	1000R
13	Overfill Prevention Sensor	1111-series, 5-wire Optic 1551-series, 2-wire Optic
14	Manhole Cover	T400-series, 20" Bolted Aluminium / Carbon Steel / Stainless Steel 58-00-28D/R, Recessed 20" bolted Aluminium
15	Vapour Recovery Valve	T195-series
16	Pressure/Vacuum-Vent	NV3000E
17	Vapour Line Valve	1995TWD
18	Civaflo Manifold	10540M